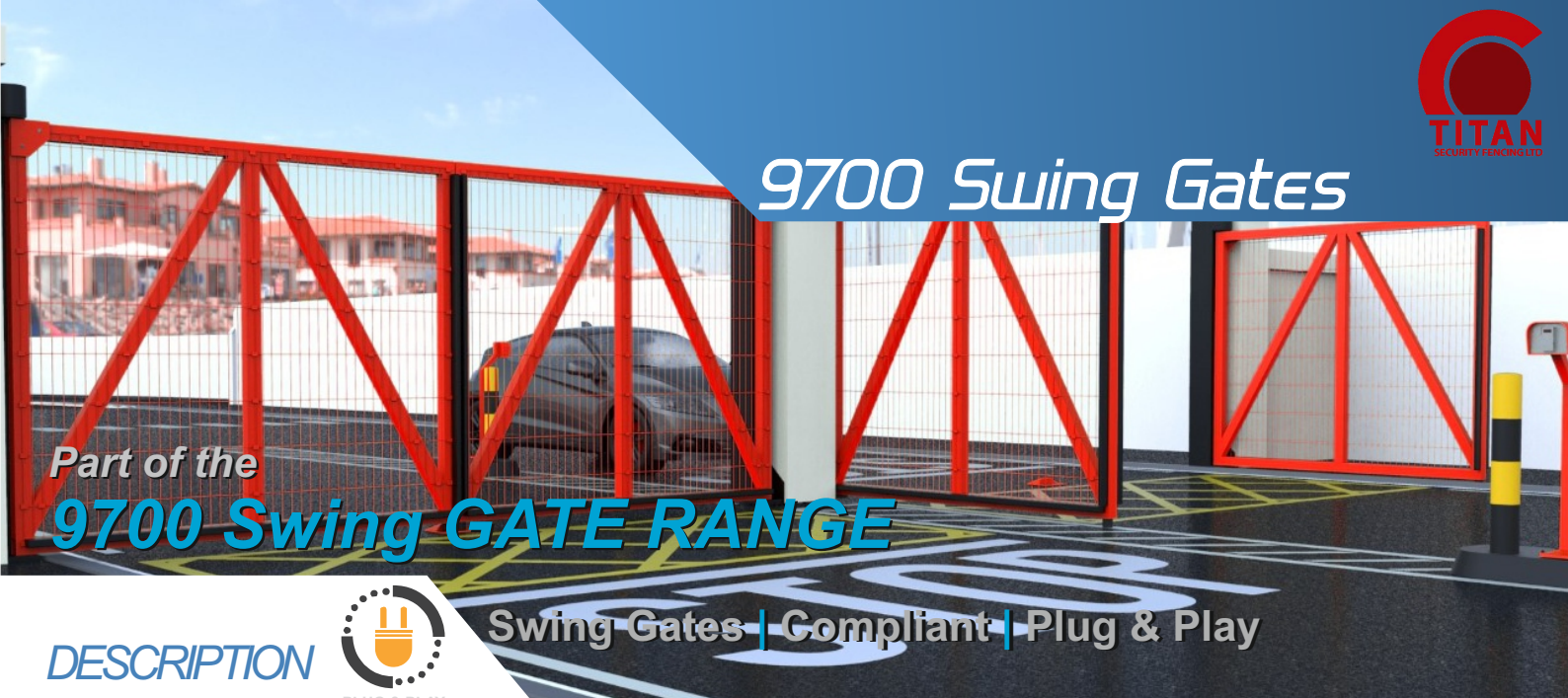


# 9700 Swing Gates



## Part of the 9700 Swing GATE RANGE

### DESCRIPTION



Swing Gates | Compliant | Plug & Play

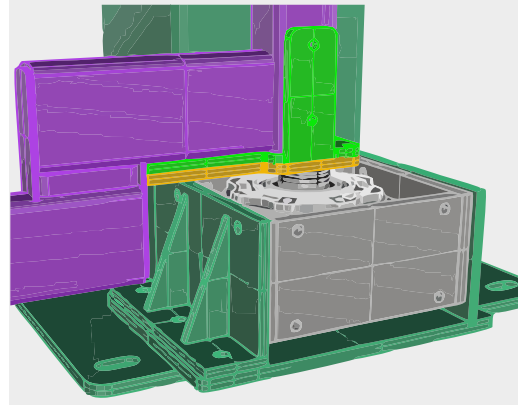
- 100% duty cycle heavy industrial usage
- BS EN 12453 Peace of mind for safety
- Single Phase Supply
- Plug & Play installation
- Programmable control panel c/w fault diagnostic on screen display
- Highest specification of components are ONLY used
- Seamlessly forms part of the existing fence lines perimeter security
- Steel/Galvanised for long lasting and maintenance free performance
- MANY different infill's available to match clients exacting requirements
- Error log is stored in the control panel for fault diagnosis
- A VERY easy to use manual release mechanism which requires no tools in the event of power failure.

### 9700 ADDED BENEFITS

- Ease of installation
- Low maintenance
- 99.9% Access Control compat
- Economical & Great Value
- Fire Alarm Input pre-configured
- Designed and built to last
- Easy to use for end users

### OPTIONAL EXTRAS

- Razor Wire Extensions
- Electric Fence
- Anti-Climb Spikes
- Traffic Lights
- Warning Siren
- Timber Infills
- Louvre Infills



### "INDUSTRY STANDARD"

Our gates have been classed as the best in the industry. It has been designed to last using the best materials and components that we can buy. As with all our products they are 100% Duty Cycle

**THE UK'S No1 TRIED, TESTED & TRUSTED INDUSTRIAL GATES**

The 9700 Swing Gates are a Plug & Play robust and reliable solution that will serve effortlessly for many years. The 9700 Swing gates are an economical solution compared to the Bi-Folding Swing gates BUT share all the same security, safety and reliability. The 9700 utilises a driven integrated frequency converter, single phase power, supplying a 3 phase motor, worm and wheel gearbox with a direct-drive shaft connected to the gate leaf, which ensures a smooth and positive movement. 9700 Swing gates are rated for 100% duty cycle i.e. continuous operation. A wide range of alternative infills are available to suit customers requirements and to match adjoining fencing design. Also available are spiked tops, warning lights and sirens if required. The gates are supplied with an intelligent and compliant! control board which is mounted in the main pillar of the gate. The 9700 Swing Gates comply with BS/EN 12453 (ALL automated gates must comply with the current legislation). We fit as standard a number of safety devices, including dual height photocells and category 3 safety edges. Our Swing Gates drastically reduce engineer installation time on site meaning this also is a better solution to automating existing gates financially for you and your customer.



### ABSOLUTE CONTROL

The 9700 Swing Gates feature a Feig control panel that is far more advanced for safety and motion than its rivals

# 9700 Swing Gates



## PRODUCT SPECIFICATION

**Gate Speed**  
8 to 12 Seconds  
(Speed WILL vary dependant upon gate size/Infill etc)

**Duty Cycle**  
100% Heavy Industrial Usage  
Suitable for Indoor & Outdoor Usage

**Specification**  
CE Approved, TUV Approved

**Power Requirements**  
Single Phase 240v 50Hz 10 Amps

**Colours**  
All RAL Colours Available  
(Non Standard RAL's Optional Cost)

**Maximum Span Dimensions**  
10m Clear Drive Through Opening

**Maximum Height Dimensions**  
2.4 Metres (Max Width 8m)  
3.0 Metres (Max Width 6m)

**Material Construction**  
Steel Construction Main Tower all Components are Galvanised OR Zinc Plated Steel, the gate leaf will be constructed out of specially designed aluminum extrusions.

**Unit Weight**  
595Kg Approx  
(dependant upon gates size and infill type)



CAD Drawings provided as standard  
 .dwg

Tech Support provided and FREE mobile APP as standard

*Flashing Beacon*

*Strong Secure Steel Tower with 7 Lever Safe Locks*

*Quick & Easy Install*



*Emergency Stop Button & Button & Deadman Keyswitch*

*Four Category 3 Safety Edges*

*Dual Height Photocells*

*Easy to Use Manual Release*

\*All gates are bespoke and manufactured to order.