

# 9000 Sliding Gates



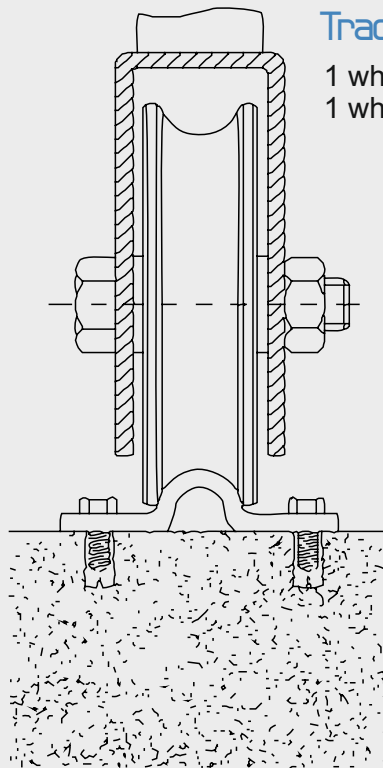
## Tracked Gate Spec

Tracked gates enable the Cantilever to be removed, thus allowing for a much reduced runback distance, where space is a premium. Also tracked gates can allow for greater drive through openings as the weight of the main gate is supported front and rear.

Tracked gates do require some ongoing maintenance to keep the track area clean and free from Debris. Gate Speed is also very slightly reduced allowing for a smooth and consistent operation.

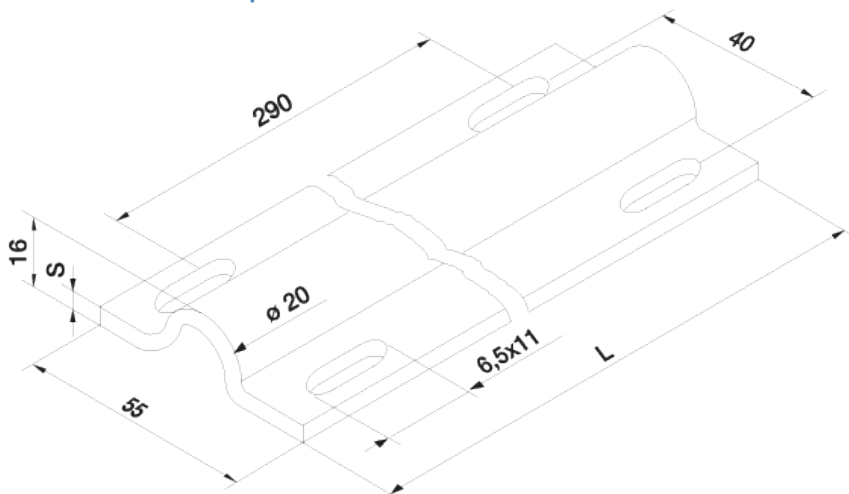
## Tracked Gate Wheel Spec

1 wheel as the front bottom and 1 wheel at the rear bottom



1230 O O-Groove Normal Wheel 2 Bearing Yellow Galvanised 120mmx30mm 480Kg Carrying Capacity (per wheel)

## Gate Track Spec



Tel: 0161 298 1330

Email: [sales@securityfencingmanchester.co.uk](mailto:sales@securityfencingmanchester.co.uk)

Web: [www.securityfencingmanchester.co.uk](http://www.securityfencingmanchester.co.uk)