

Part of the
6000 BARRIER RANGE

DESCRIPTION



PLUG & PLAY
INSTALLATION

Skirts | Hi-Bars | LEDs | Sensors | Plug & Play

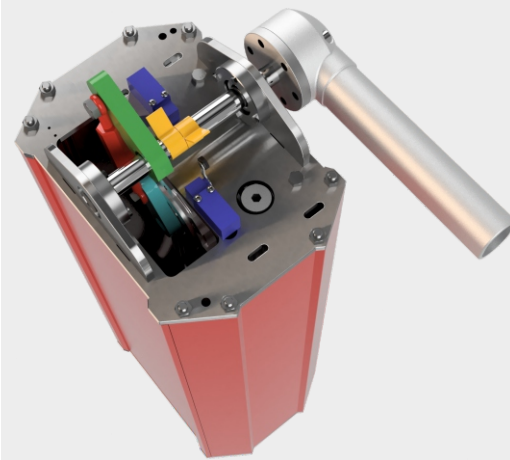
- 100% duty cycle heavy industrial usage
- Designed to be safe yet secure
- Single Phase Supply
- Plug & Play installation
- Programmable control panel c/w fault diagnostic on screen display
- Highest specification of components are ONLY used
- Integrates with other devices to make a secure perimeter
- Aluminium construction for long lasting/maintenance free performance
- Dual safety control for vehicles so making safe and reliable
- A VERY easy to use manual release mechanism which requires no tools in the event of power failure.

6000 ADDED BENEFITS

- Ease of installation
- Low maintenance
- 99.9% Access Control compat
- Safe trusted program logic
- Accepts 2 8k2 CAT3 safety
- Designed and built to last
- Effective security deterrent

OPTIONAL EXTRAS

- LED Traffic lights
- Warning Siren
- Flashing Beacon
- Warning Signage
- Battery Back Up



"INDUSTRY STANDARD"

Our barriers have been classed as the best in the industry. It has been designed to last using the best materials and components that we can buy. As with all our products they are 100% Duty Cycle



ABSOLUTE CONTROL

The 6000 auto barriers feature a Feig control panel that is far more advanced for safety and motion than its rivals

THE UK'S No.1 TRIED, TESTED & TRUSTED AUTOMATIC BARRIERS

Our designs use the latest technology to maintain the barriers smooth operation, via an integral frequency inverter driven motor and gearbox drive, which only requires a single phase supply, providing a smooth consistent operation.

It is controlled by a Feig Control Board, which can be programmed to suit any site configuration & form of access control requirements, therefore allowing speedy installation and no return visits to modify the programmes.

The power input to our automatic barrier is 230v controlling a three phase motor, hence enables us to offer reliability and high torque. With this control panel and gearbox design, we do not require any springs or counterweights to assist in the operation of the barriers.

Our aluminium externally placed control cabinet has been designed to stand out from the rest. Its sleek looks are achieved by investing heavily into aluminium extrusions, which ensures product longevity, making it look as good as the day it was installed.

6000Lux-19 Automatic Barrier



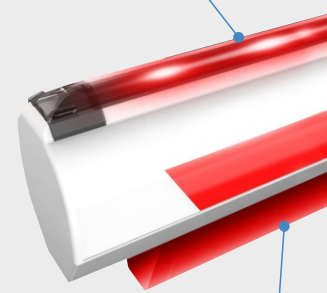
PRODUCT SPECIFICATION

- Operation Speed**
4 to 7 Seconds
(Speed WILL vary dependent upon barrier configuration)
- Duty Cycle**
100% Heavy Industrial Usage
- Specification**
CE Approved, TUV Approved
- Power Requirements**
Single Phase 240v 50Hz 10 Amps
- Maximum Span Dimensions**
7M plain pole only | 6M with bottom skirt | 5M with hi-bar
- Drive Unit**
3 Phase Motor & Wormed Gearbox
- Material Construction**
Aluminum & Polyester Powder Coated
- Ambient Temperature**
-20°C to +60°C (+65°C with vent kit (charges apply))
- Unit Weight**
Cabinet, contents and pole arm: 77Kg
- Dimensions**
Cabinet: 1110mm x 404mm x 416mm
Pole: 88.7mm x 62.5mm OVAL
- IP Rating**
Ip56
- Fixings**
M12 anchor shield bolts included



Aluminium Lid & Body
Long Lasting Corrosion Free

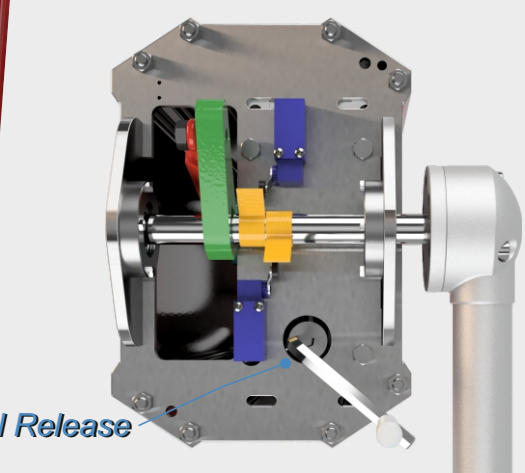
Bright LED
Red/Green Lights
(Additional Cost)



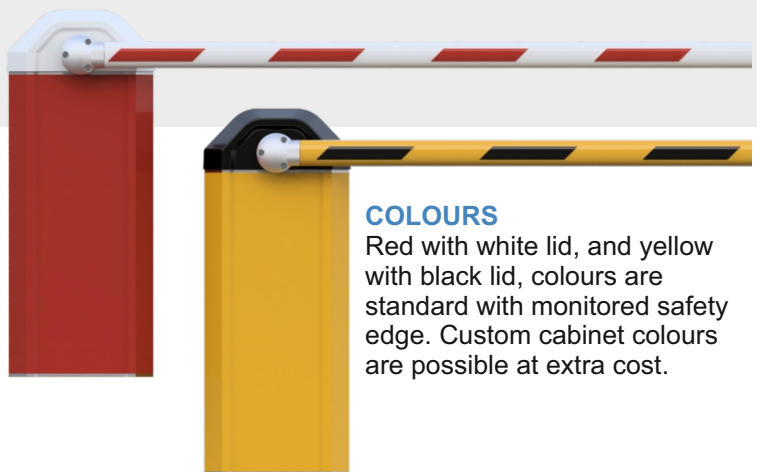
Integrated 8K2
Safety Edge as STD

Beautifully Designed
Strong Secure Cabinet

Bottom Skirt &
Hi-Bar Skirt Options



Easy to use
SAFE Manual Release



COLOURS
Red with white lid, and yellow with black lid, colours are standard with monitored safety edge. Custom cabinet colours are possible at extra cost.

CAD Drawings provided as standard
 .dwg

Tech Support provided and FREE mobile APP as standard